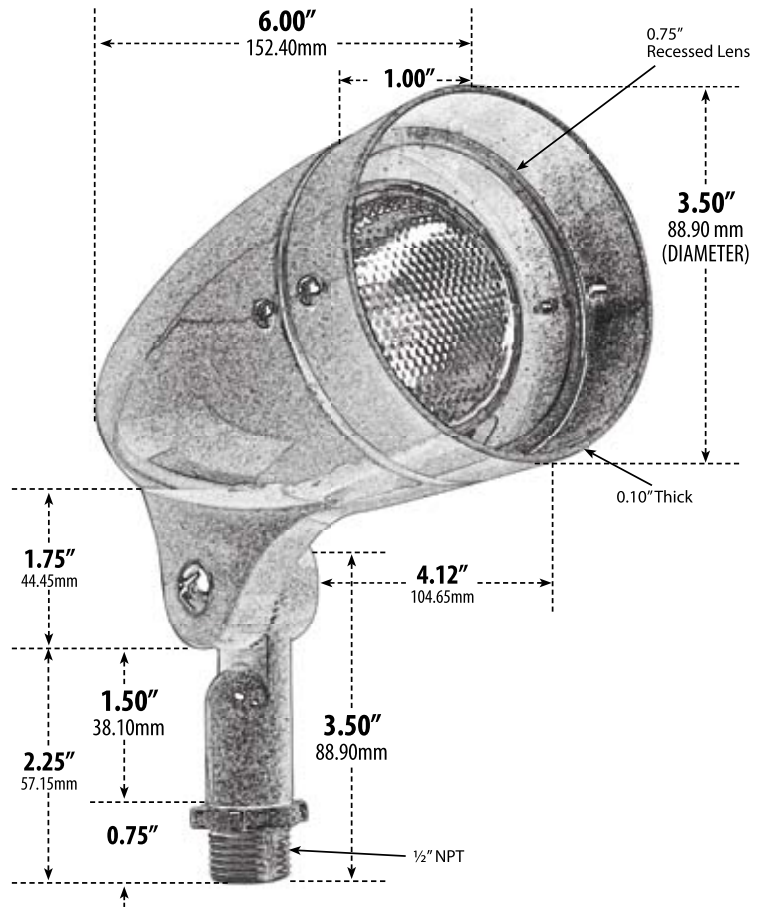


DPR21

DIRECTIONAL SPOT LIGHT



- ▶ **Material:** Powder Coated Cast Aluminum
- ▶ **Lens:** Clear, Heat Resistant, Tempered Glass
- ▶ **Lamp:** PAR20 (50W Maximum)

MODEL NUMBER	LAMP TYPE	ILLUMINANT TYPE	WATTS (W)	VOLTS (V)	LAMP(S) INCLUDED?
DPR21	PAR20	HALOGEN	50	120	NO
DPR-LED21	PAR20-LED	3 LEDs	3	120	YES

- ▶ **Adjustable Knuckle with 1/2" NPT**
- ▶ **Ground Spike Available:** LV-S6 (sold separately)
- ▶ **Available Color:** Black, Bronze, Green, Verde Green
- ▶ **ETL Approved**

Overall Dimensions:
7.00"H x 3.50"W x 6.00"D

Maximum Height: 8.00"
Minimum Height: 7.00"
Width: 3.50"
Maximum Depth: 6.00"
Minimum Depth: 4.50"

Weight: 1.0 lbs
Approximate Wire Length: 15.0"
Box Dimensions:
8.00"H x 5.38"W x 3.50"D

DABMAR
LIGHTING

DABMAR LIGHTING INCORPORATED

2140 Eastman Ave . Oxnard, CA 93030 . 805.604.9090 . f: 805.604.9050 . www.dabmar.com