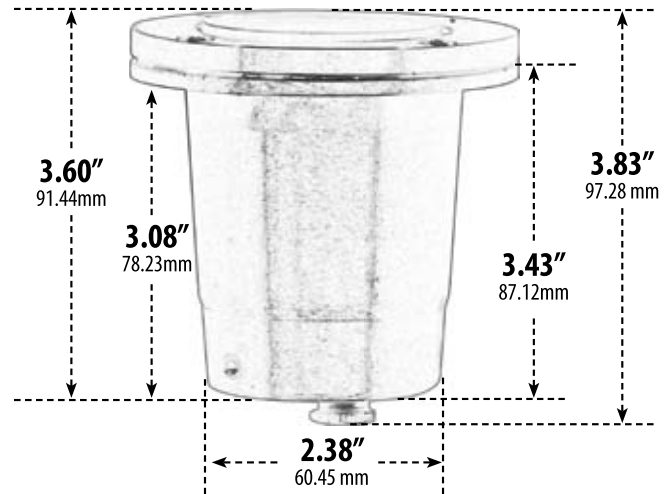
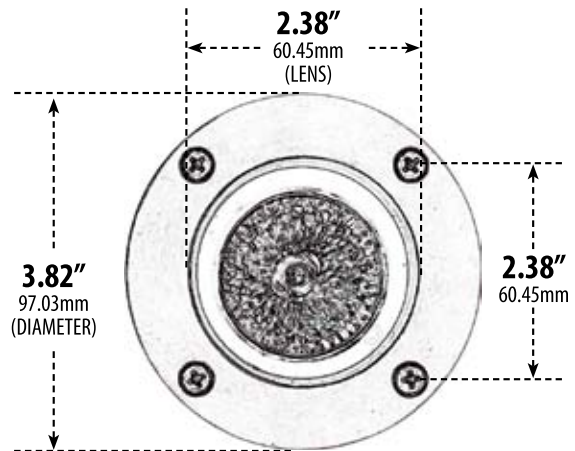


# LV25

## IN-GROUND WELL LIGHT



- ▶ **Material:** Brass
- ▶ **Lens:** Clear, Heat Resistant, Tempered Glass
- ▶ **Lamp:** MR16 Bi-Pin Base (50W Maximum)

MODEL NUMBER	LAMP TYPE	ILLUMINANT TYPE	WATTS (W)	VOLTS (V)	LAMP(S) INCLUDED?
LV25	MR16	HALOGEN	20	12	YES
LV-LED25	MR16-LED	3 LEDs	3	12	YES

Pre-wired with UL Listed Direct Burial Wire/Cable

- ▶ **Available Finish:** Weathered Brass, Polished Brass
- ▶ **ETL Approved**

Overall Dimensions:  
6.02"H x 3.82"W x 3.82"D

Weight: 2.00 lbs  
Approximate Wire Length: 19"  
Box Dimensions:  
6.63"H x 4.75"W x 4.75"D

**DABMAR**  
LIGHTING

DABMAR LIGHTING INCORPORATED

2140 Eastman Ave . Oxnard, CA 93030 . 805.604.9090 . f: 805.604.9050 . www.dabmar.com